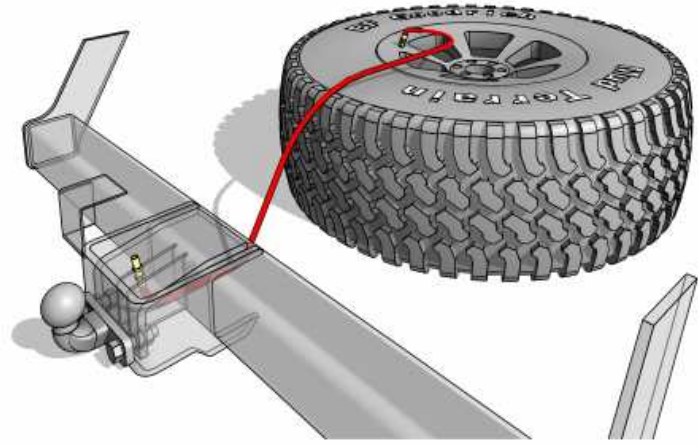


# BAKKIE SPARE WHEEL, ENSURING THAT YOUR UNDER VEHICLE SPARE IS ALWAYS



Location **Gauteng, Soshanguve**  
<https://www.freeadsz.co.za/x-233438-z>

"Spare Air" is a valve extension for your spare wheel, allowing you to check and easily inflate your spare wheel without having to "drop" the wheel from under your vehicle.  
 It fits onto almost all under carrying spare wheel vehicles.  
 Never get caught with a spare flat again.  
 Made to order. Standard length for bakkies =



"SPARE AIR" by  **T&S**  
 Architectural Design  
 078 496 6431



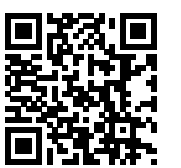
BAKKIE SPARE WHEEL,  
 ENSURING THAT YOUR  
 UNDER VEHICLE SPARE IS  
 ALWAYS READY FOR USE  
<https://www.freeadsz.co.za/x-2334>



BAKKIE SPARE WHEEL,  
 ENSURING THAT YOUR  
 UNDER VEHICLE SPARE IS  
 ALWAYS READY FOR USE  
<https://www.freeadsz.co.za/x-2334>



BAKKIE SPARE WHEEL,  
 ENSURING THAT YOUR  
 UNDER VEHICLE SPARE IS  
 ALWAYS READY FOR USE  
<https://www.freeadsz.co.za/x-2334>



BAKKIE SPARE WHEEL,  
 ENSURING THAT YOUR  
 UNDER VEHICLE SPARE IS  
 ALWAYS READY FOR USE  
<https://www.freeadsz.co.za/x-2334>



BAKKIE SPARE WHEEL,  
 ENSURING THAT YOUR  
 UNDER VEHICLE SPARE IS  
 ALWAYS READY FOR USE  
<https://www.freeadsz.co.za/x-2334>



BAKKIE SPARE WHEEL,  
 ENSURING THAT YOUR  
 UNDER VEHICLE SPARE IS  
 ALWAYS READY FOR USE  
<https://www.freeadsz.co.za/x-2334>



BAKKIE SPARE WHEEL,  
 ENSURING THAT YOUR  
 UNDER VEHICLE SPARE IS  
 ALWAYS READY FOR USE  
<https://www.freeadsz.co.za/x-2334>



BAKKIE SPARE WHEEL,  
 ENSURING THAT YOUR  
 UNDER VEHICLE SPARE IS  
 ALWAYS READY FOR USE  
<https://www.freeadsz.co.za/x-2334>



BAKKIE SPARE WHEEL,  
 ENSURING THAT YOUR  
 UNDER VEHICLE SPARE IS  
 ALWAYS READY FOR USE  
<https://www.freeadsz.co.za/x-2334>



BAKKIE SPARE WHEEL,  
 ENSURING THAT YOUR  
 UNDER VEHICLE SPARE IS  
 ALWAYS READY FOR USE  
<https://www.freeadsz.co.za/x-2334>